

## Key Box (1Key) FDV-K001

- FDV-K001 Stand Alone Type
- FDV-K001-B Network Type



### Appearance

(The dimension varies according to its model number.)



Front View



Example of Installation  
With desk mount base  
(Optional feature)

### Main Specification

	FDV-K001	FDV-K001-B
External Interface	USB2.0	LAN(10/100Base-T)
Finger Vein Authentication Speed	Within 1 sec. After identification of finger vein (with 100 registrants)	
Authorized person rejection rate	0.01%	
Non-authorized person acceptance rate	0.0001%	
Finger Vein Registration Capacity	50 persons (with two fingers per person)	500 persons (with two fingers per person)
History Log	100 events	10,000 events
Power Source	AC Adapter (AC100-200V、DC24V、1.9A)	
Ambient Temperature	-15 to 50 degrees C	
Ambient Humidity	20% to 80% (No dew condensation)	
Ambient Brightness	Up to 20,000Lux (No direct irradiation on finger with Sun light)	
Dimensions	H235 × W 100 × D 92	H285 × W130 × D111
Weight (cable not included)	1450g	1980g
Accessories	Wall attachment base (200g)	Wall attachment base (440g)
	USB memory	CD
	Control software / Data take out software	Registration / Control software (Optional)



## FDV-K001 Stand alone type (USB)

### Key shape



Presence/Absence of a key is detected with a key ring of a shape that can be inserted into only a prescribed position.



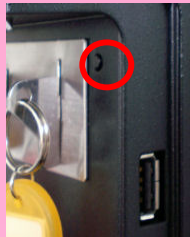
### Maintenance

Key control is conducted by inserting the accessory USB memory into the device body.



### User registration

By pressing the registration button on the device body, the user is registered. The user is managed with a serial number automatically assigned at the registration.

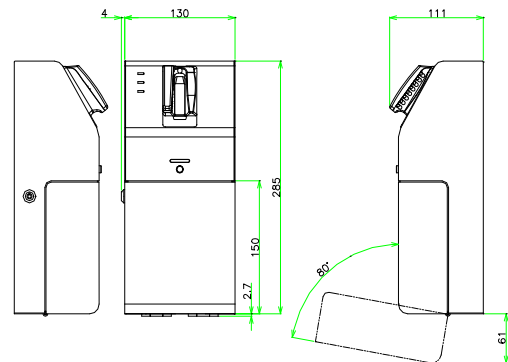
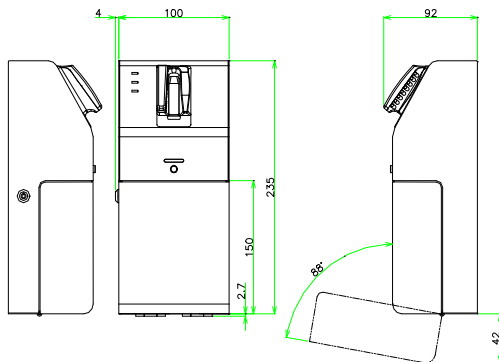


### Viewing of History Log

By inserting the USB memory into the device body, a history text file is automatically output to the memory.

### External shape

When the door is opened



## FDV-K001-B Network type (LAN)

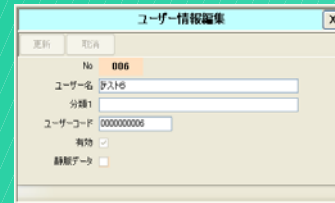
Presence/Absence of a key is detected by a hook that moves up and down with the weight of the key.



The device body is controlled with special control software (priced) by connecting the device body to the PC with a LAN cable.



The user can be managed with registered name and class by the control software in a PC.



The control software in the PC enables viewing, searching, and CSV file storing.

