



Entry Management System

- Very easy to wire.
- All the features needed for entry management built-in.
- Easy to integrate with other systems.

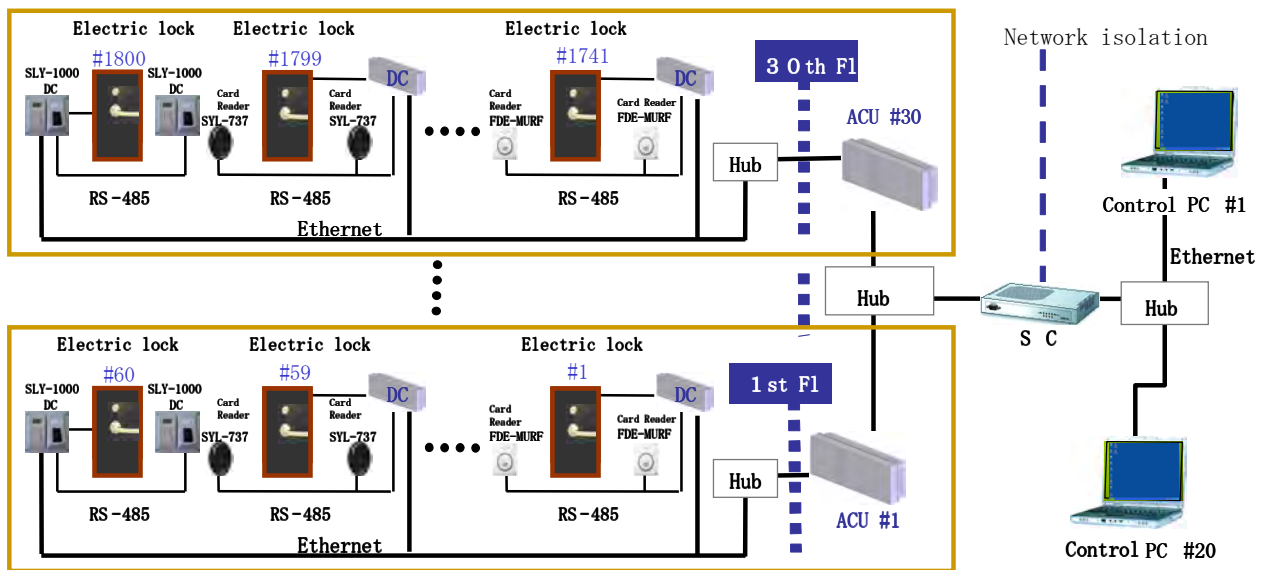
Configurations : Flexible configuration from small system to large scale.

ACS1 : Small scale configuration

ACS2 : Mid-size system

ACS3 : Large scale system

Mid-size System (ACS2)



Main Specifications

Item	ACS1	ACS2/3
Doors controlled	60	1800
Capacity for registration	50000 Persons	50000 Persons
User classifications	999 Class × 4 Types	999 Class × 4 Types
User codes	10 digits alphanumeric	10 digits alphanumeric
Scheduling capacity	2000 schedules	2000 schedules
Schedule Types	14	14
Schedule time	8 hours/day	8 hours/day
Administrator registration	10 persons	100 persons
Administrator codes	10 digits alphanumeric	10 digits alphanumeric
Number of PC connections	2	100
History log (ACU)	50000 events	50000 events
History log (SC/PC)	6 months	6 months
ACU connections	1	30

