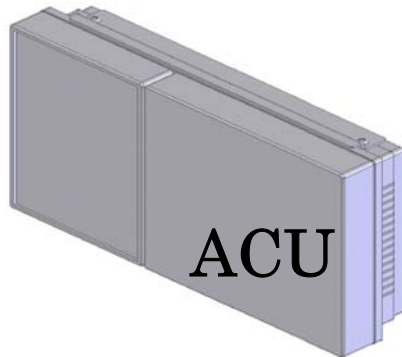


# Entry Management System



Door Controller  
(Vertical Vein  
Authentication+RF Reader)



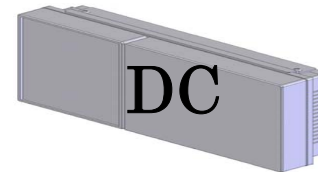
Access Control Unit



System Controller



Door Controller  
(Vein Authentication+ RF  
Reader)



Door Controller



Distinctive Design for easy wiring.

Features : ➤ Various functions for Entry Management.

➤ Easy to integrate with other Management Systems.

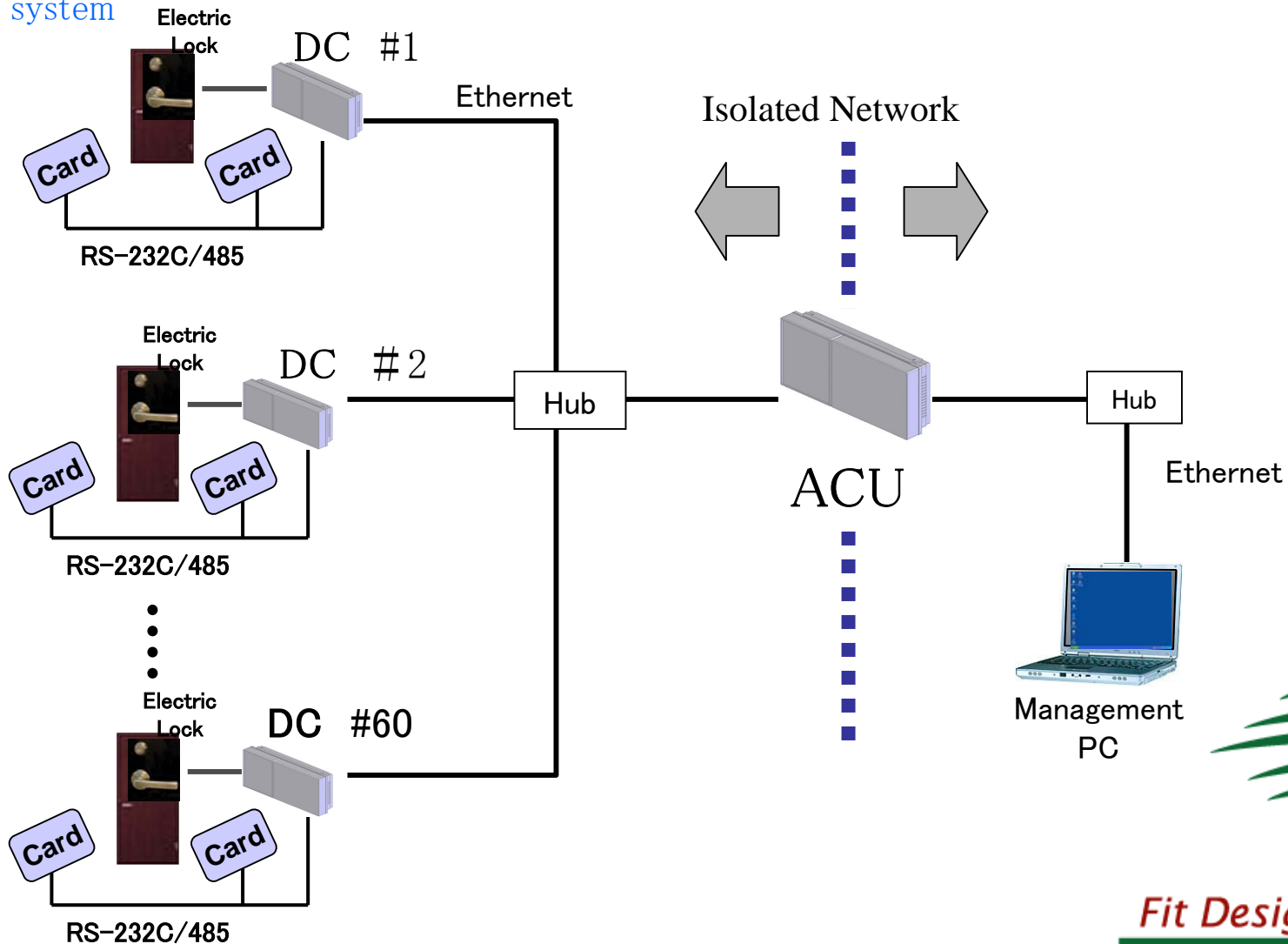
Expandability : Starting from a small scale system and expandable to very large .

- Small : ACS1 System
- Mid-size : ACS2 System
- Large : ACS3 System



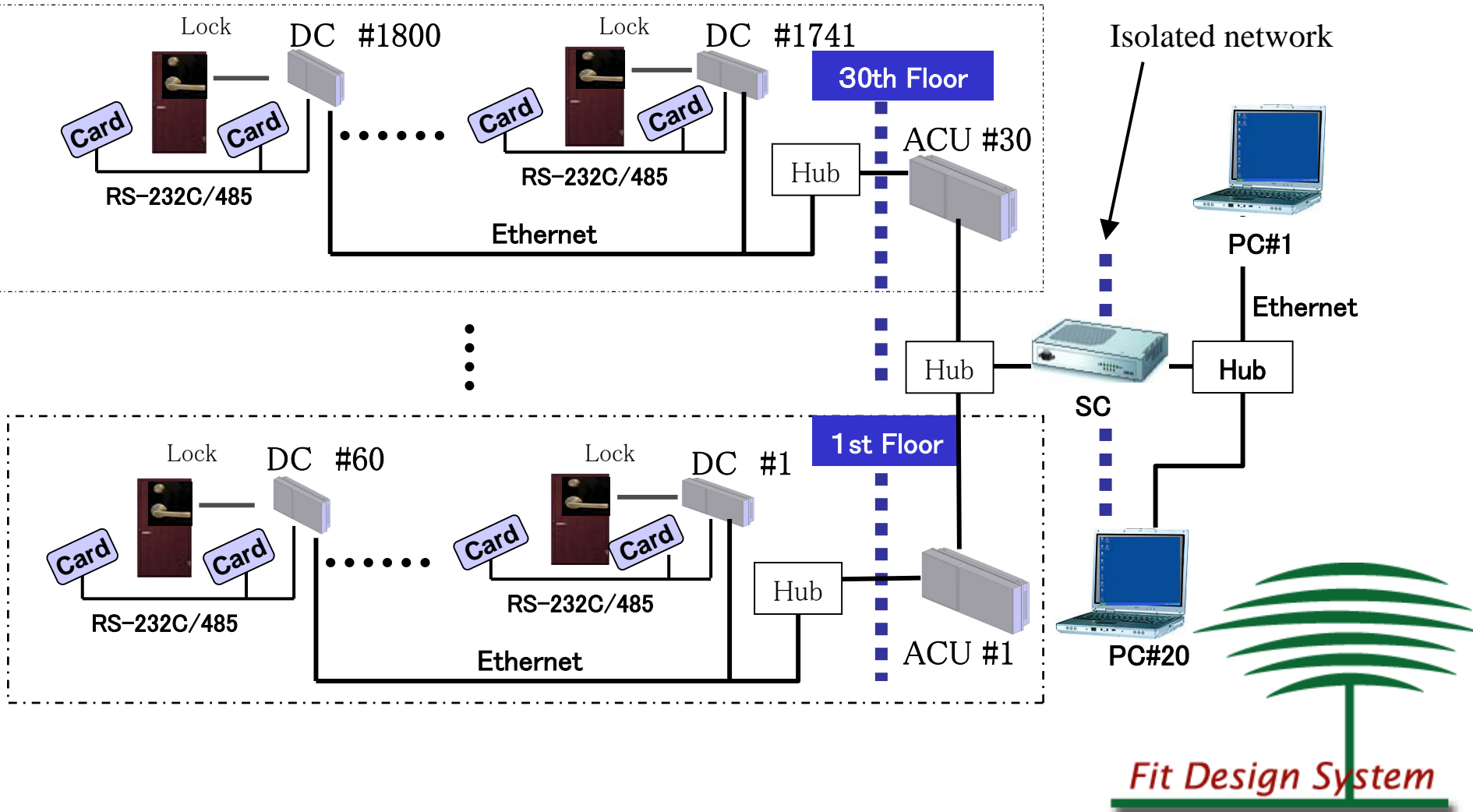
# Small Scale (ACS1)

✦ Integration of required number of Door Controllers, Management PC and 1 ACU for small system



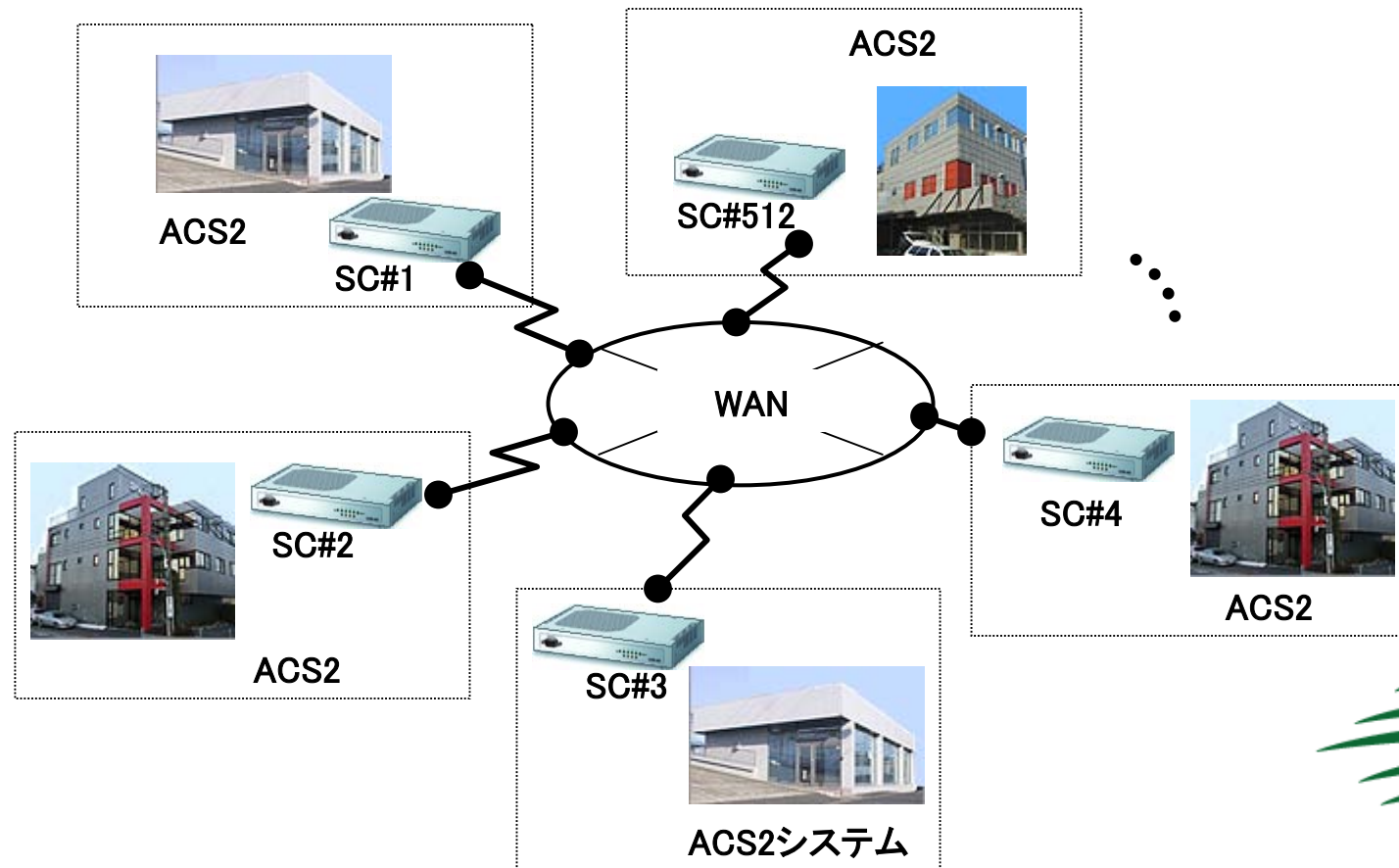
# Mid-size System (ACS2)

※ ACS1 for each floor connected by SC for larger systems



# ➤ Large Enterprise System (ACS3)

※ For multiple locations, each location has an ACS2 system connected by SC and WAN connection



## ➤ Features (1)

### ✂ User Management

- Maximum user registration 50000 persons。
- Registration for each user
  - Enable/disable、Periodic registration
- User search function
  - Name (Last, First, Kana)、User Code、Sex、Type 1 – 4、Start/End time。

### ✂ Scheduling

- Scheduling per user
  - Maximum 20000 schedule per user。
  - Each schedule controls 14 days scheduling
- Door schedule Management
  - Schedule management per door。



## ➤ Feature (2)

### ✘ Occupancy Management

- Record and display user occupancy status。

### ✘ Event Log

- Event log recorded on ACU

Even when communications with PC and SC lost, ACU records maximum 50000 events (Battery backup)。

- Management PC/SC

Records events up to 6 months。

### ✘ Administrator Function

- Specify administrator rights for each administrator。



➤ Features (3)

✂ User control

- Entry/Exit direction Control (Anti passback)
- Escorts control
- Occupancy limit control
- Entry/Exit sequence control
- Control by sex
- Unauthorized user lock (Option)
- Interlock function (Option)

✂ Alarm

- Open/Lock alarm
- Unauthorized Open/Lock



➤ Specifications

Description	ACS1	ACS2/3
Number of doors controlled	60	1800
Number of users	50000	50000
User classification	999 × 4 Types	999 × 4 Types
User Codes	10 digits alphanumeric	10 digits alphanumeric
Scheduling	2000	2000
Maximum number of days per schedule	14	14
Schedule hours per day	8 Hours/Day	8 Hours/Day
Number of administrators	10	100
Administrator Code	10 digits alphanumeric	10 digits alphanumeric
Number of PC Connections	2	100
Event log (ACU)	50000	50000
Event log (SC/PC)	6 Months	6 Months
Number of ACU connections	1	30